

RPA Digital Regulators



- Industry expert solutions
- Project development
- Elaborating
- Manufacturing
- Long-term servicing
- Energy efficiency

**Switch it on
and gain control!**

COMPANY PROFILE

RPA Digital Regulators, LLC is a leader in developing and producing low voltage systems in Russia since 2002. The company has modern production facilities and a group of technicians and developers, which allow satisfying customers' requirements to supply with individual design and serial manufacturing for every single motor or a whole plant facility.

Our long experience in maintaining our systems at the customer's enterprises and our expertise in solving complex technical problems allowed creating reliable products with long-term after-sale service available worldwide.

We offer low voltage turnkey solutions for:

- Oil and gas sector;
- Refineries;
- Chemical and petrochemical plants;
- Iron, steel and metallurgical plants;
- Cement and building materials plants;
- Water and waste water treatment;
- Pulp and paper plants;
- Hydropower plants.

Company Key Product

Our best-known product is ANIKRON, a line of digital excitation regulators for synchronous motors. Since 2002 our company has been successfully developing, producing, supplying, commissioning and servicing ANIKRON product line.

We eager to be best with the excellent Service

RPA Digital Regulators has all staff and resources needed to make maintenance of the company's products in Russia, CIS countries and worldwide. Our specialists not only guarantee that the systems installed will work without failures but also update the software upgrade and change if necessary, some blocks and details.



Under our Service Program we provide the following works:

- Excitation system upgrade to fit the Customer's needs;
- Warranty and post-warranty service at the Customer's place of business under service agreements;
- Supervision installation, start-up and commissioning repair;
- Providing spare parts;
- On-line support and consulting;
- Staff training.

OUR PROJECTS AND CUSTOMERS

Geographical portfolio



Industries

	Oil refinery		Chemical & Petrochemical
	Gas-processing Industry		Metallurgy
	Oil upstream		Mining Industry
	Pipelines		Cement Industry
	Pulp & Paper Industry		Nuclear Industry
	Water utilities		Rubber plant



READY SOLUTIONS

Any excitation system of any complexity can be produced by RPA Digital Regulators on the turnkey basis with the experience gained and own production facilities. We can also customize our product against the customer's individual requirements

The list of our products includes:

- Different modifications of ANIKRON digital excitation regulator for synchronous motor;
- Different modifications of ANIKRON digital excitation regulator for synchronous generator;

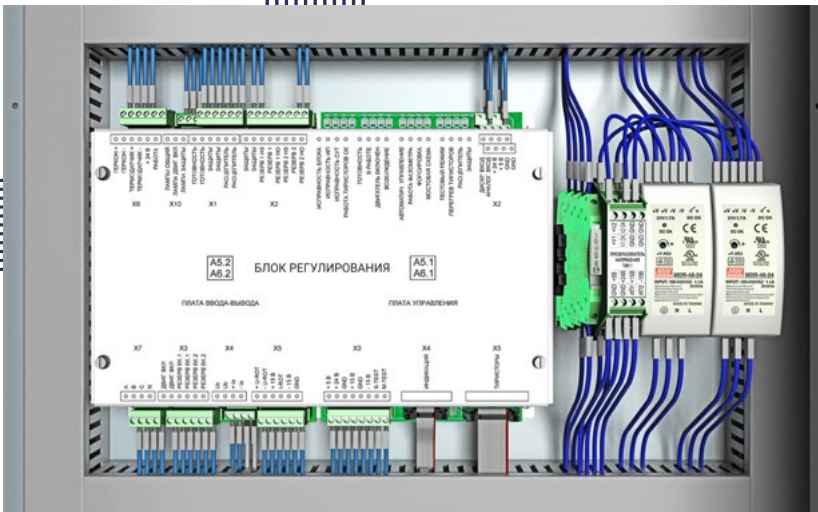
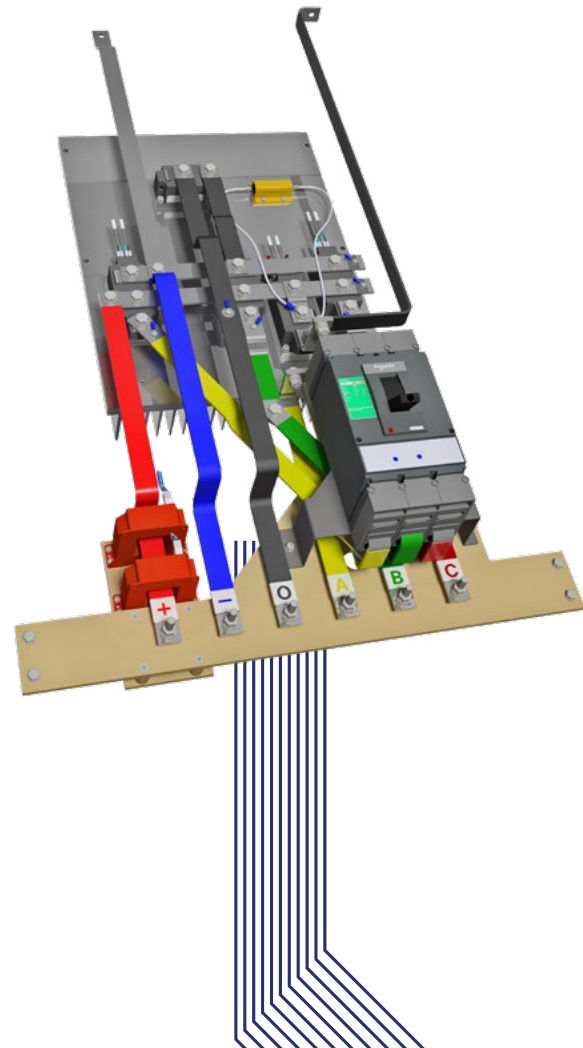
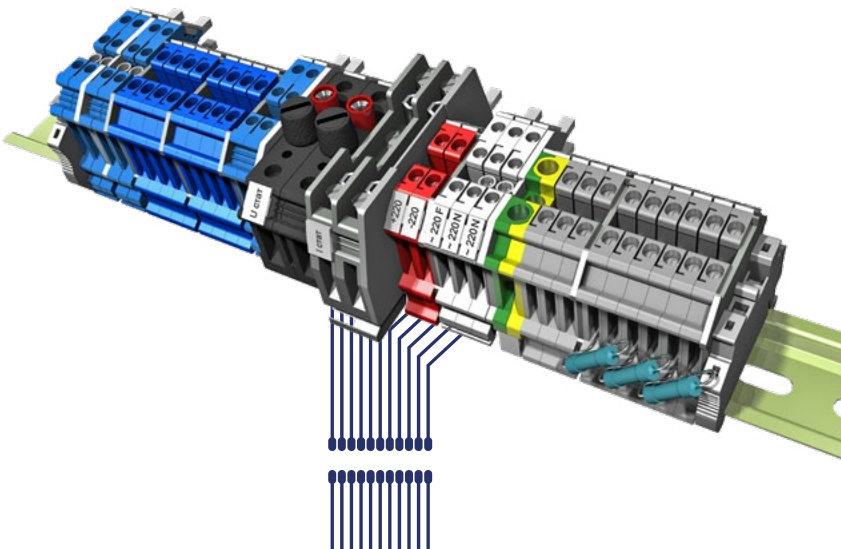
Since the end of the 90-th of the past century our digital regulators have been produced for any facilities using synchronous motors. Our company manufactures digital regulators ANIKRON and provides long-term after-sale worldwide service, which ensures sustainable operating more than 2600 of digital regulators, starting from the very first models. Digital regulators ANIKRON is the key equipment feature that makes operating synchronous motor reliable, effective and cost efficient.

The digital regulators ANIKRON are designed applying the modern technologies, the exclusive algorithms of excitation

control and motor failure protection. ANIKRON series fit all current and foreseeable future requirements for Critical Equipment.

Different modification of ANIKRON may be used to operate both brush and brushless synchronous motors up to 32 megawatts. Our exclusive know-how significantly reduces energy consumption and provides undisputed reliability when used with a synchronous motor from any manufacturer.

Since 2019 our company offers digital excitation regulators for synchronous generators. Generator series are outstanding solution intended for alternators equipped with brush or brushless units and applicable for modernization projects that require replacement of old electro-mechanical excitation unit with a thyristor or diode excitation system. Exciter cubicles for alternators are intended for operating synchronous generators with rated power up to 40 MW driven with hydro, gas or steam turbine. Digital excitation regulators ANIKRON for synchronous generators are AVR with full automatic main and backup control units, high capabilities to increase redundancy on control and power parts. Generator series are designed as individual projects with serial manufacturing capability to comply individual technical specifications of particular synchronous machine.



PROJECT DEVELOPMENT

Apart from the hardware solutions, RPA Digital regulators offers their customers the company's unique competency in resolving complex industrial problems. Perfect example become our developing, producing and implementing the catalyst control system at the "Omsk Gazpromneft" refinery.

Our experience in replacement of outdated equipment makes us capable to work at complex industrial facilities. In 2018 our company was granted and successfully completed the turnkey modernization project for the "Omsktire" tire plant.

RPA Digital Regulators develops and implements the projects to increase energy efficiency of technological equipment. Such projects are elaborated for both local production units and transregional production chains of any complexity.

Using the equipments of our own electric laboratory our experts can perform energy surveys of different industrial facilities.

The company RPA Digital Regulators produced and supplied significant amount of the failure proof control systems during the period of collaboration with the PJSC "Transneft", the most important national petrol carrier.

We are proud to announce successful completion of advanced retrofit project at Kirovsk branch of "Apatit" company. Under development program the leading fertilizer plant required highest safety and continuity of technological processes. The result is implementation of new approach in building excitation system of synchronous motors. ANIKRON

TM-03 got individually designed control and protection algorithms, extra switch cabinet to increase redundancy of excitation system on control, power part and measurement circuits.

Since 2009 the company has been offering innovative energy-saving solutions for the European market. These solutions reduce our Customer's expenses thanks to their modern technologies. In 2009 the first lot of ANIKRON regulators was delivered and put into operation at the "LUKOIL Neftohim Burgas" oil refinery in Burgas, Bulgaria.



IMPLEMENTING

Project department meets the industry challenge with own laboratory, which is certified by the “ROSTEKHNADZOR” and operating in CIS countries since October 2011

The laboratory is equipped with the most modern certified equipment that can be used to perform works of any complexity such as:

- Testing electric equipment and facility surveys including electric safety, grounding, isolating and high voltage testing up to 90 kilovolts;
- Servicing of indoor switchgears, motor control centers, package transformer substations, relay protection and automatic control;
- Carrying out design, review and energy audit;
- Installing electric equipment.

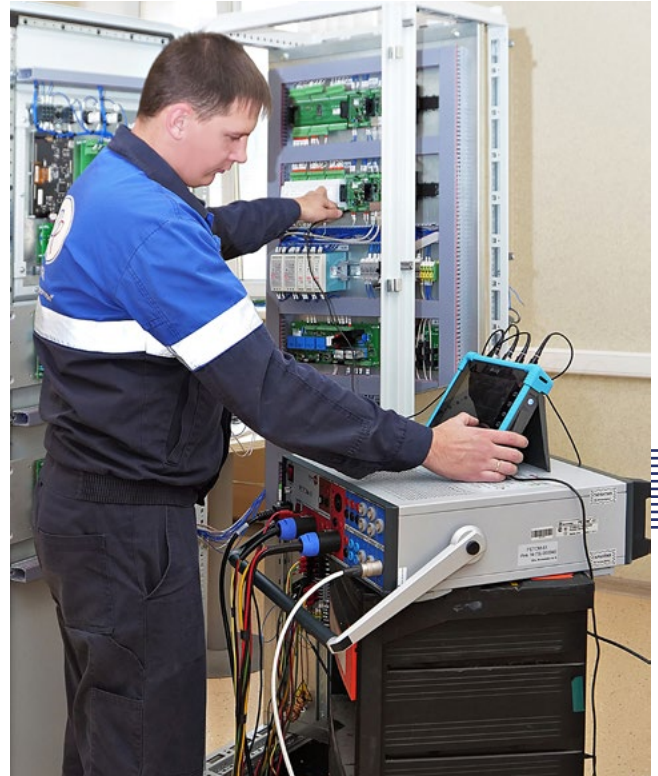
Apart from standard services test procedures the company accomplishes some specific measurements including:

- Thermovision inspection;
- Metal-on-metal connection measurements with the current up to 600 A;
- Detecting the location and depth of underground utility lines;
- Fluid flow measurements with a portable ultrasound flow meter;
- Testing automatic switches and releasers with the current up to 20 kA;
- Measurement of mechanical characteristics of high-voltage switches.

As a part of the energy survey our laboratory provides:

- Energy audit of a facility’s current status;
- Issuing Energy Performance Certificate;
- Issuing the list of energy-efficiency measures;

Developing the concepts of technical and financial solutions including the performance targets and deadlines and describe the economic effect of the implementation



SWITCH IT ON AND GAIN CONTROL!

Quality control

Since 2007 Quality Management System is implemented in our company. In 2021 RPA "Digital regulators" confirmed compliance of the Quality Management System with ISO 9001:2015 (TÜV NORD CERT GmbH).

Our company fulfills quality control requirements of all major oil and gas companies in Russia with voluntary certification, vendor management assessment, production facility audits.

Our products are certified and enrolled to the list of products, approved for supply to PJSC "Transneft". Voluntary Quality Management System approval mark "INTERGAZCERT" is granted by PJSC "Gazprom". Our company is evaluated as a reliable supplier for "Rosneft" group of companies, etc.

Our products and services comply all requirements of Eurasian Economic Union member states.

Since 2013 our main product models for synchronous motors ANIKRON were successfully tested, certified for compliance with applicable directives and standards of European Union and CE mark applied for our overseas projects.

Company awards

RPA Digital regulators has long history of participation in exhibitions events, summits, workshops abroad with a number of honorable awards for domestical and international markets.

Domestical awards: RPA Digital regulators is a multiple winner of the "Gold Mercury" Award from the Russian Chamber of Commerce and Industry in the field of entrepreneurship. Winner of the competition for products, services and technologies "Novosibirsk Mark" Award for quality. Winners of "All-Russian Exporter of the Year" Award from the Russian Export center. Government of resident city Novosibirsk noticed RPA "Digital regulators" for innovative manufacturing facility and outstanding export activity among small-scale businesses.

Foreign awards: In 2012, 2016 our company became a laureate of the "STEP INTO THE FUTURE" Grand-Prix at the International Technical Fair "SAJAM TEHNIKE" (UFI) in Belgrade, Serbia. At the fair our excitation regulator for synchronous motors ANIKRON TM-03 was awarded a Diploma for High Technological and Technical Achievements in Electronics. In 2014 won International Technical Fair Award in Plovdiv, Bulgaria for innovative technical solutions.



RPA Digital Regulators

1, Berdskiy tupik, Novosibirsk city, Russia, 630058

tel: +7-383-306-30-50

fax: +7-383-306-30-04

anikron.ru

cr@anikron.ru

